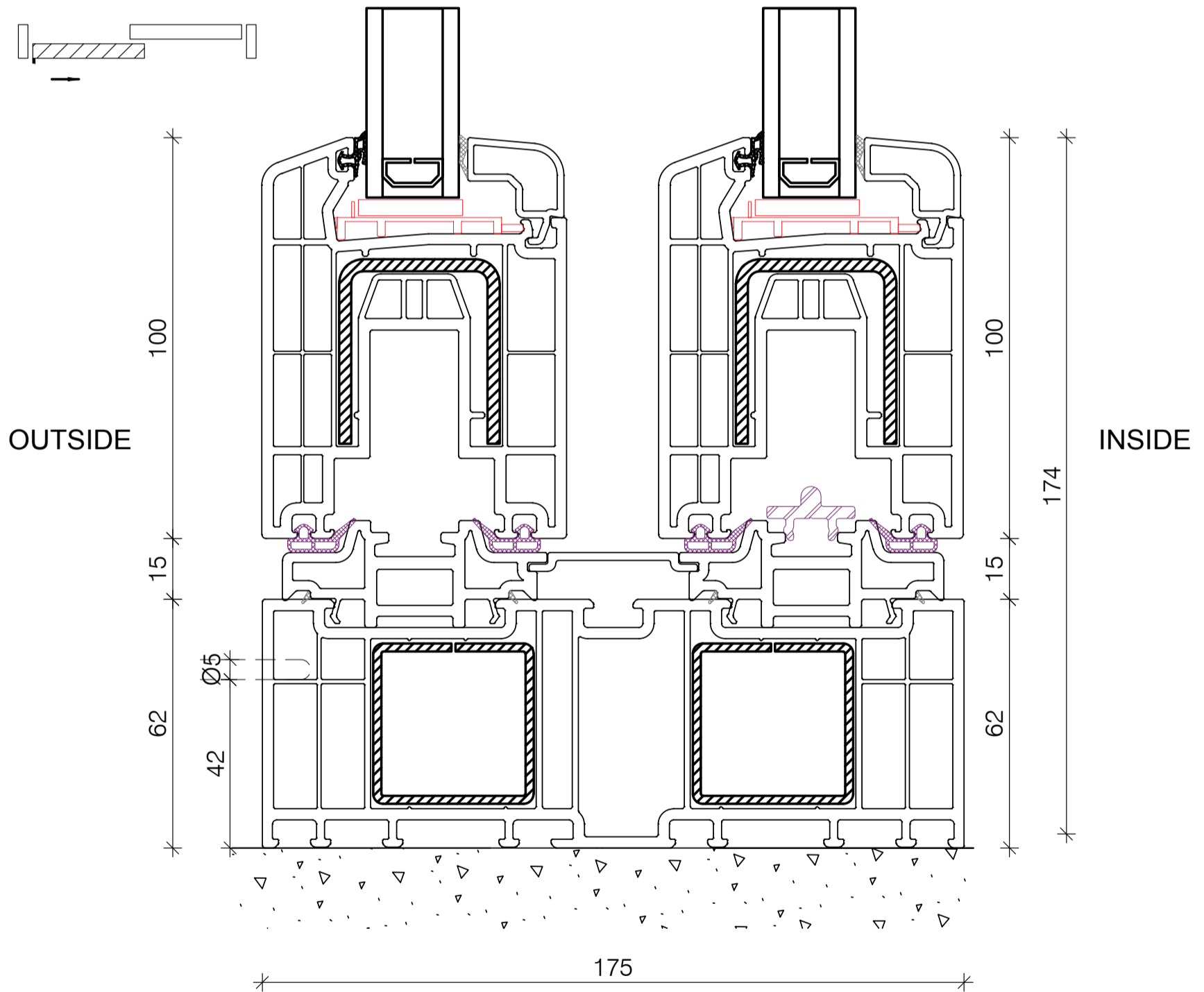
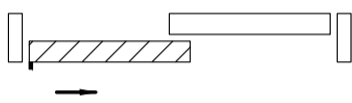
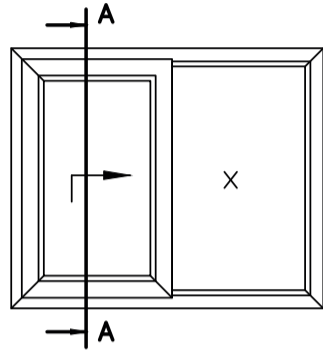




UNIT 4/36 RALPH ST  
ALEXANDRIA NSW 2015  
(02) 8964 7764  
INFO@INTEGRAWINDOWS.COM.AU

DWG. NAME  
LIFT AND SLIDE  
VERSION 1

DWG. NO  
7.01



Technical documents are subject to change without notice